

# SENTRY

REMOTE CONTROL

## 403MHz SINGLE CHANNEL BINARY RECEIVER

The SENTRY 403MHz BINARY (DIPSWITCH) receiver is a matching single channel receiver module for the one and three button SENTRY 403MHz remote control. It provides a 10 AMP rated relay contact (dry) suitable for all gate motor and garage door applications.

### SPECIFICATIONS:

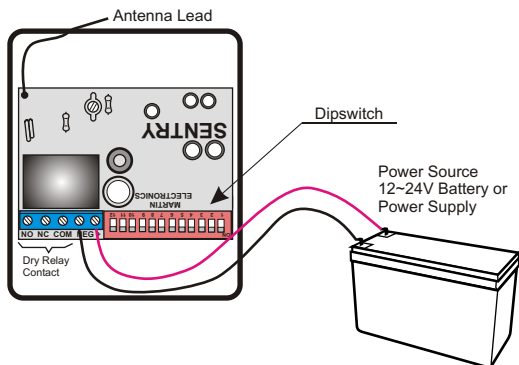
Power Source: 12 - 24V AC/DC  
 Frequency: 403.55MHz  
 Receiver Type: Regenerative  
 Physical Size: 90 x 66.5 x 30mm  
 Weight: 70g  
 Storage Temp: -10°C to +55°C  
 Operating Temp: 0°C to 40°C  
 Operating Humidity: <80%



### Type Approvals



### HOW TO CONNECT RECEIVER



### DIP SWITCH CODING TABLE

MANDATORY  
 USER-DEFINABLE

#### SINGLE BUTTON REMOTE

##### General Transmitter/Receiver



NOTES:  
 For single receiver operation transmitter and receiver code must match.

##### Simulate 1st Button



##### Simulate 2nd Button



##### Simulate 3rd Button



To use 1 button transmitter with existing receivers, set as shown here. Switches 4-12 must match the corresponding switches (4-12 on the receiver)

#### THREE BUTTON REMOTE

##### Transmitter Dipswitch



##### First Receiver Dipswitch (Button 1)



##### Second Receiver Dipswitch (Button 2)



##### Third Receiver Dipswitch (Button 3)



NOTES:  
 On the transmitter, the first three DIP switches MUST be set to the OFF position.

Switches 4 - 12 on the transmitter must match switches 4 - 12 on the receiver.

#### SINGLE SPLIT CODE (3 BUTTON ONLY)

##### Transmitter Dipswitch



##### Gate #1 (Button 1)



##### Gate #2 (Button 2)



##### Garage (Button 3)



NOTES:  
 The single split modification to a 3 button transmitter allows users in a complex to share common codes to access the gate as well as allowing an individual code for control of a single individual garage door.

#### DOUBLE SPLIT CODE (3 BUTTON ONLY)

##### Transmitter Dipswitch



##### Gate #1 (Button 1)



##### Garage #1 (Button 2)



##### Garage #2 (Button 3)



NOTES:  
 Double-split modifications are used to enable users in a complex to share a common code for the control of an access gate as well as allowing two unique individual codes for the control of a double garage (each door independently)

### MODIFICATION TO TRANSMITTER FOR SPLIT MODES



#### Split Mode Pad

To enable split mode on a three button transmitter, cut the pad as shown with a knife or screwdriver.

MANDATORY  
 USER-DEFINABLE  
 COMPLEX CODE

Manufactured By:  
**MARTIN ELECTRONICS**  
 PO BOX 49284 ROSETTENVILLE 2130  
 TEL: 011-433-4084 FAX: 011-680-3080  
 www.martin-electronics.co.za

